



www.skyjacker.com

2007 - 2019 GM 1500 2WD / 4WD 2" Lower Metal Strut Spacer Installation Instructions

REQUIRED TOOL LIST:

- * Safety Glasses
- * Metric / Standard Wrenches & Sockets
- * Flat Head Screwdriver
- * Hammer
- * Floor Jack
- * Jack Stands
- * Measuring Tape
- * Torque Wrench



Before beginning the installation, thoroughly & completely read these instructions & the enclosed driver's WARNING NOTICE. Affix the WARNING decal in the passenger compartment in clear view of all occupants. Please refer to the Parts List to insure that all parts & hardware are received prior to the disassembly of the vehicle. If any parts or hardware are found to be missing, contact SKYJACKER® Customer Service at 318-388-0816 to obtain the needed items. If you have any questions or reservations about installing this product, contact SKYJACKER® Technical Assistance at 318-388-0816.

Make sure you park the vehicle on a level concrete or asphalt surface. Many times a vehicle is not level (side-to-side) from the factory & is usually not noticed until a lift kit has been installed, which makes the difference more visible. Using a measuring tape, measure the front (both sides) from the ground up to the center of the fender opening above the axle. Record this information below for future reference.

Driver Side Front: _____ Passenger Side Front: _____

Important Notes:

- If larger tires (10% more than the OEM diameter) are installed, speedometer recalibration will be necessary. Contact your local GM dealer or an authorized dealer for details.
- After installation, a qualified alignment facility is required to align the vehicle to the OEM specifications.

Component Box Breakdown:

Part #: C1420LMSA / C1420LMMR

Item #	Description	Qty	Item #	Description	Qty
C1420MS-S	METAL LOWER STRUT SPACER	2	HB-C1420LMSA	HDWR BAG: C1420LMSA	1
HB-C1420LE	HDWR BAG: C1420LE (Included With C1420LMMR)	1	I-C1420LMSA	INST SHEET: C1420LMSA	1

Hardware Bag Breakdown:

Part # HB-C1420LE (Included With C1420LMMR)

Item #	Description	Qty	Item #	Description	Qty
C1420LE-S	MAGNERIDE EXTENSION BRKT	2	6MMW	6MM METRIC FLAT WASHER	2
6MMX16MMB	6MM X 16MM METRIC BOLT	2	6MMN	6MM METRIC LOCK NUT	2

Part # HB-C1420LMSA

Item #	Description	Qty	Item #	Description	Qty
10MMX90MMB	10MM X 90MM METRIC BOLT	4	10MMN	10MM METRIC LOCK NUT	4
38XTFW	3/8 EXTRA THICK WASHER	4			

Installation:

1. With the vehicle on a level concrete or asphalt surface, set the emergency brake & block the rear tires / wheels.
2. Place a floor jack under the lower control arm front cross member & raise the front of the vehicle.
3. Place jack stands under the frame rails behind the front wheel wells & lower the frame onto the jack stands.
4. Remove the front tires / wheels using a 21mm socket. (See Photo # 1)
5. Disconnect the OEM outer tie rod ends from the OEM steering knuckles using a 18mm socket. (See Photo # 2) **Note:** It may be necessary to strike the side of the OEM steering knuckles to dislodge the OEM outer tie rod ends. Be careful not to damage the OEM outer tie rod ends.
6. Disconnect the OEM sway bar end links from the OEM lower control arms using a 15mm socket. (See Photo # 3)

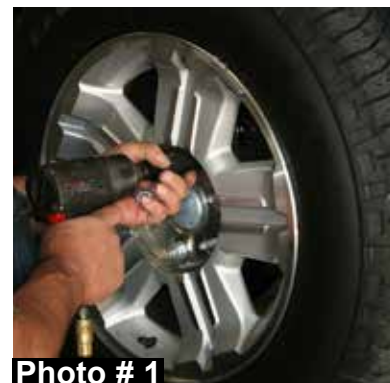


Photo # 1



Photo # 2



Photo # 3

7. Loosen the OEM upper strut retaining nuts using a 18mm socket, but do not remove. (See Photo # 4)

8. Disconnect the OEM upper control arms from the OEM steering knuckles using a 18mm socket. **Note:** It may be necessary to strike the side of the OEM steering knuckles to dislodge the OEM upper ball joints. Be careful not to damage the OEM upper ball joints.

9. Disconnect the OEM strut assemblies from the OEM lower control arms using a 15mm socket. (See Photo # 5)

10. Remove the OEM bolt clips from the lower mount of the OEM strut assemblies using a flat head screwdriver. (See Photo # 6)

11. Install the new Skyjacker lower strut spacers between each OEM strut assembly lower mount & OEM lower control arm using the supplied 10mm x 90mm bolts, washers, nuts, & a 17mm socket. (See Photo # 7)

12. Connect the OEM upper control arms to the OEM steering knuckles using a 18mm socket.

13. Tighten the OEM upper strut retaining nuts using a 18mm socket. (See Photo # 4)

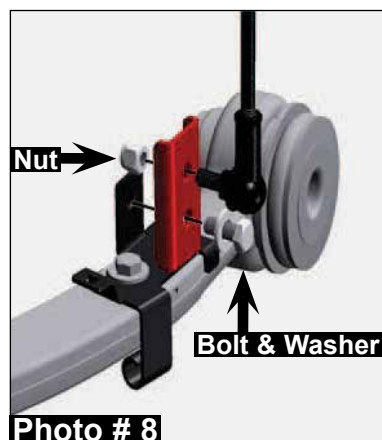
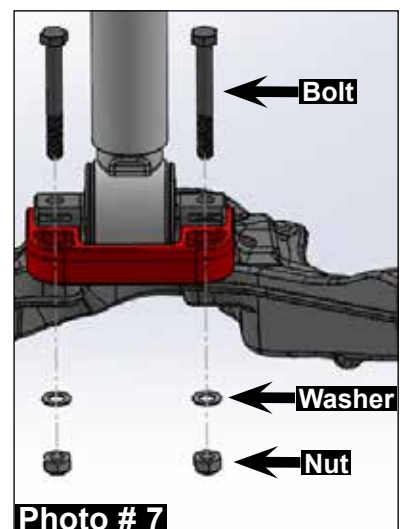
14. Connect the OEM sway bar end links to the OEM lower control arms using a 15mm socket. (See Photo # 3)

15. Connect the OEM outer tie rod ends to the OEM steering knuckles using a 18mm socket. (See Photo # 2)

16. **2014 - 2018 Models With Magnetic Ride Control:** Disconnect the OEM Magneride linkage from each OEM upper A-arm & install the new Skyjacker Magneride extension brackets to the OEM upper A-arms using the supplied 6mm x 16mm bolts, washers, & a 10mm socket / wrench. (See Photo # 8)

17. **2014 - 2018 Models With Magnetic Ride Control:** Connect each OEM Magneride linkage to the new Skyjacker Magneride extension brackets using the supplied 6mm nuts & a 10mm socket / wrench. (See Photo # 8)

18. Install the front tires / wheels using a 21mm socket & lower the front of the vehicle to the ground. (See Photo # 1)



Final Notes:

- After the installation is complete, double check that all nuts & bolts are tight. Refer to the following chart for the proper torque specifications. (Do not retighten the nuts & bolts where thread lock compound was used.)
- With the vehicle placed on the ground, cycle the steering lock to lock & inspect the steering, suspension, brake lines, front & rear drivelines, fuel lines, & wiring harnesses for proper operation, tightness, & adequate clearance.
- Have the headlights readjusted to the proper settings.
- Have a qualified alignment center realign the vehicle to the OEM specifications.
- After the first 100 miles, check all of the hardware for the proper torque & periodically thereafter.

TORQUE SPECIFICATIONS					
INCH SYSTEM			METRIC SYSTEM		
Bolt Size	Grade 5	Grade 8	Bolt Size	Class 8.8	Class 10.9
5/16	15 FT LB	20 FT LB	6MM	5 FT LB	9 FT LB
3/8	30 FT LB	35 FT LB	8MM	18 FT LB	23 FT LB
7/16	45 FT LB	60 FT LB	10MM	32 FT LB	45 FT LB
1/2	65 FT LB	90 FT LB	12MM	55 FT LB	75 FT LB
9/16	95 FT LB	130 FTLB	14MM	85 FT LB	120 FT LB
5/8	135 FT LB	175 FT LB	16MM	130 FT LB	165 FT LB
3/4	185 FT LB	280 FTLB	18MM	170 FT LB	240 FT LB

***The above specifications are not to be used when bolt is being installed with a bushing.**

Seat Belts Save Lives, Please Wear Your Seat Belt.