



www.skyjacker.com

REQUIRED TOOL LIST:

- Safety Glasses
- Metric / Standard Sockets & Wrenches
- Floor Jack
- Jack Stands
- Measuring Tape
- Torque Wrench

**2005 - 2017 Ford F250 / F350
Super Duty
2.5" Front Metal Spacer Kit
Installation Instructions**



Before beginning the installation, thoroughly & completely read these instructions & the enclosed driver's WARNING NOTICE. Affix the WARNING decal in the passenger compartment in clear view of all occupants. Please refer to the Parts List to insure that all parts & hardware are received prior to the disassembly of the vehicle. If any parts are found to be missing, contact SKYJACKER® Customer Service at 318-388-0816 to obtain the needed items. If you have any questions or reservations about installing this product, contact SKYJACKER® Technical Assistance at 318-388-0816.

Make sure you park the vehicle on a level concrete or asphalt surface. Many times a vehicle is not level (side-to-side) from the factory & is usually not noticed until a lift kit has been installed, which makes the difference more visible. Using a measuring tape, measure the front & rear (both sides) from the ground up to the center of the fender opening above the axle. Record this information below for future reference.

Driver Side Front: _____ Passenger Side Front: _____

Important Notes:

- If larger tires (10% more than the OEM diameter) are installed, speedometer recalibration will be necessary. Contact your local Ford dealer or an authorized dealer for details.
- After installation, a qualified alignment facility is required to align the vehicle to the OEM specifications.

Component Box Breakdown:

Part #:

Item #	Description	Qty
F17SE25-S	2.5" FRT SHOCK EXT BRACKET	2
F52MS-S	2.5" METAL COIL SPRG SPACER	2
HB-F17SE25	HDWR BAG: F17SE25 SHK EXT	1

Item #	Description	Qty
HB-F52MS	HDWR BAG: F52MS METAL SPC	1
I-F1752MSB	INST SHEET: F1752MSB	1

Hardware Bag Breakdown:

Part # HB-F17SE25

Item #	Description	Qty
916X3FTB	9/16 X 3 FINE THREAD BOLT	2
916FTN	9/16 FINE THREAD LOCK NUT	2

Item #	Description	Qty
916SAEW	9/16 SAE WASHER	4

Part # HB-F52MS

Item #	Description	Qty
14X120MMB	14MM X 120MM BOLT	2
916XTFW	9/16 EXTRA THICK WASHER	2

Item #	Description	Qty
LT100	NUTS N' BOLTS 427 1 ML TUBE	1

Installation:

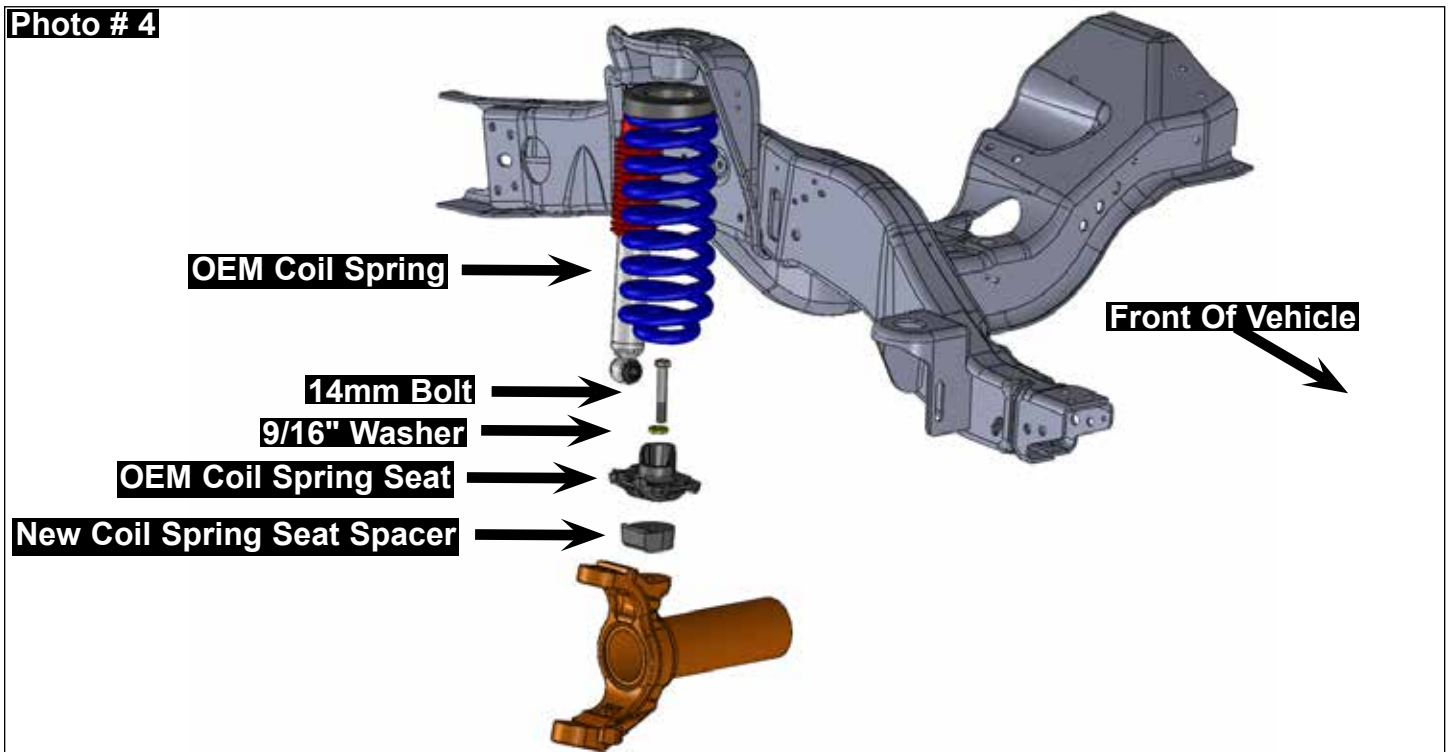
1. With the vehicle on flat level ground, set the emergency brake, & block the rear tires / wheels.
2. Raise the front of the vehicle & support securely using jack stands.
3. While supporting the front differential, remove the front tires / wheels using a 21mm socket.
4. Disconnect the OEM drag link from the OEM pitman arm using a 24mm socket / wrench.
5. Disconnect the OEM front sway bar end links from the OEM sway bar using a 18mm socket / wrench. (See Photo # 1)
6. Disconnect the OEM upper & lower brake line brackets using a 10mm & 13mm socket / wrench.
7. Disconnect the OEM track bar from the OEM track bar bracket using a 1 3/16" & 1 1/4" socket / wrench. (See Photo # 2)
8. Disconnect the OEM front shocks from the front differential using a 18mm socket / wrench.



9. Lower the front differential & remove the OEM front coil springs. (See Photo # 3)
10. Remove the OEM lower coil spring seats using a 18mm socket. (See Photo # 4)
11. Install the new Skyjacker lower coil spring seat spacers, aligning the angle of each new lower coil spring seat spacer with the contour of the differential knuckle.



12. Install the OEM lower coil spring seats on top of each new Skyjacker lower coil spring seat spacer, aligning the angle of each new lower coil spring seat spacer with the contour of each OEM lower coil spring seat. (See Photo # 4) **Note:** Each OEM lower coil spring seat is labeled "FRT" ↑ designating the orientation of each lower coil spring seat on the vehicle.
13. Complete the installation of the new Skyjacker lower coil spring seat spacers using the supplied 14mm x 120mm bolts, extra thick washers, thread locking compound, & a 22mm socket. (See Photo # 4)



14. Install the OEM front coil springs. (See Photo # 3)
15. Install the new Skyjacker lower shock extension brackets to each OEM lower shock mount using the OEM hardware & a 18mm socket / wrench. (See Photo # 5)



16. Connect the OEM front shocks to each new Skyjacker lower shock extension bracket using the supplied 9/16" x 3" fine thread bolts, washers, nuts, a 13/16", & 7/8" socket / wrench. (See Photo # 6)
17. Connect the OEM track bar to the OEM track bar bracket using the OEM hardware & a 1 3/16" & 1 1/4" socket / wrench. (See Photo # 2)
18. Connect the OEM upper & lower brake line brackets using the OEM hardware, a 10mm, & 13mm socket / wrench.
19. Connect the OEM drag link to the OEM pitman arm using the OEM hardware & a 24mm socket / wrench.
20. Connect the OEM front sway bar end links to the OEM front sway bar using the OEM hardware & a 18mm socket / wrench. (See Photo # 1)
21. Install the front tires / wheels using a 21mm socket & lower the front of the vehicle to the ground.



Final Notes:

- After the installation is complete, double check that all nuts & bolts are tight. Refer to the following chart below for the proper torque specifications. (Do not retighten the nuts & bolts where thread lock compound was used.)
- With the vehicle placed on the ground, cycle the steering lock to lock & inspect the steering, suspension, brake lines, front & rear drivelines, fuel lines, & wiring harnesses for proper operation, tightness, & adequate clearance.
- Have the headlights readjusted to the proper settings.
- Have a qualified alignment center align the vehicle to the OEM specifications.
- After the first 100 miles, check all hardware for the proper torque & periodically thereafter.

<u>TORQUE SPECIFICATIONS</u>					
<u>INCH SYSTEM</u>			<u>METRIC SYSTEM</u>		
Bolt Size	Grade 5	Grade 8	Bolt Size	Class 8.8	Class 10.9
5/16	15 FT LB	20 FT LB	6MM	5 FT LB	9 FT LB
3/8	30 FT LB	35 FT LB	8MM	18 FT LB	23 FT LB
7/16	45 FT LB	60 FT LB	10MM	32 FT LB	45 FT LB
1/2	65 FT LB	90 FT LB	12MM	55 FT LB	75 FT LB
9/16	95 FT LB	130 FT LB	14MM	85 FT LB	120 FT LB
5/8	135 FT LB	175 FT LB	16MM	130 FT LB	165 FT LB
3/4	185 FT LB	280 FT LB	18MM	170 FT LB	240 FT LB

- The above specifications are not to be used when the bolt is being installed with a bushing.

Seat Belts Save Lives, Please Wear Your Seat Belt.