

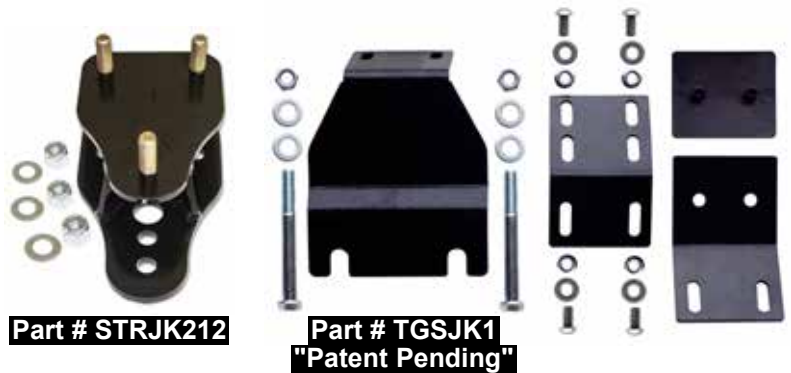


www.skyjacker.com

## 2007 - 2017 Jeep JK Tailgate Saver Spare Tire Support & Spare Tire Relocator Installation Instructions

### REQUIRED TOOL LIST:

- Safety Glasses
- Metric & Standard Sockets / Wrenches
- 7/32" Hex Key Socket / Wrench  
(Part # TGSJK1)
- Torque Wrench



Part # STRJK212

Part # TGSJK1  
"Patent Pending"

Before beginning the installation, thoroughly & completely read these instructions & the enclosed driver's WARNING NOTICE. Affix the WARNING decal in the passenger compartment in clear view of all occupants. Please refer to the Parts List to insure that all parts & hardware are received prior to the disassembly of the vehicle. If any parts are found to be missing, contact SKYJACKER® Customer Service at 318-388-0816 to obtain the needed items. If you have any questions or reservations about installing this product, contact SKYJACKER® Technical Assistance at 318-388-0816.

### Important Notes:

- Part # TGSJK1 is designed to be used with the OEM tailgate spare tire mount & Skyjacker spare tire relocator (Part # STRJK212) or an aftermarket offset spare tire adapter / spacer.
- Part # STRJK212 & TGSJK1 are designed to be used with 33" - 37" diameter tires & wheels with 4" - 5.5" backspacing.

### Component Box Breakdown:

#### Part #: STRJK212

Item #	Description	Qty	Item #	Description	Qty
STRJK212-B	JK SPARE TIRE RELOCATOR	1	12FTN	1/2 FINE THREAD LOCK NUT	3
12SAEW	1/2 SAE WASHER	3	I-TGSSTR1	INST SHEET: STRJK212 / TGSJK1	1

### Component Box Breakdown:

#### Part #: TGSJK1

Item #	Description	Qty	Item #	Description	Qty
JKSTS-1	TAILGATE SAVER FRAME BRKT	1	HB-TGSJK1	HDWR BAG: TGSJK1	1
JKSTS-2A	TAILGATE SAVER "A" BRACKET	1	I-TGSSTR1	INST SHEET: STRJK212 / TGSJK1	1
JKSTS-2B	TAILGATE SAVER "B" BRACKET	1			

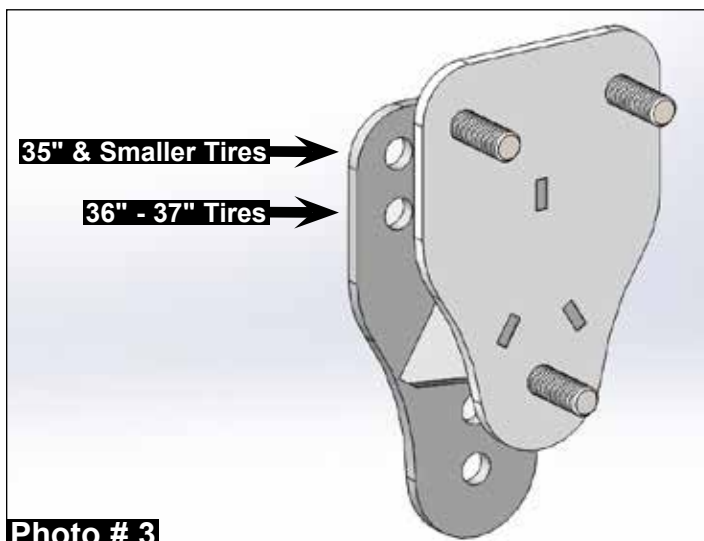
## Hardware Breakdown:

### Part # HB-TGSJK1

Item #	Description	Qty	Item #	Description	Qty
IN300D	WEAR PAD	1	12X412CTBG5	1/2 X 4 1/2 COARSE THRD BOLT	2
38X34SSBHB	3/8 X 3/4 SS BUT HEAD BOLT	4	12SAEW	1/2 SAE WASHER	4
38SSSAEW	3/8 STAINLESS SAE WASHER	4	12CTN	1/2 COARSE THREAD LOCK NUT	2
38FSCTN	3/8 FLG SERRATED CRSE NUT	4			

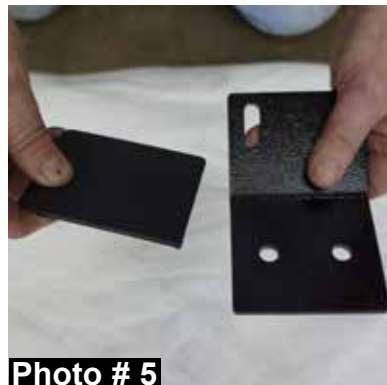
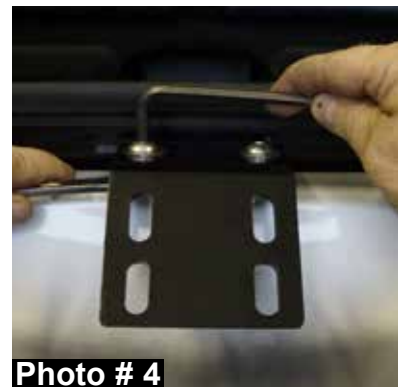
### Part # STRJK212 / Installation:

1. With the vehicle on flat level ground, set the emergency brake, & block the rear tires / wheels.
2. Remove the spare tire / wheel from the OEM tailgate spare tire mount. (See Photo # 1)
3. Install the new Skyjacker spare tire relocater bracket to the OEM tailgate spare tire mount using the supplied 1/2" washers, 1/2" nuts, & a 3/4" socket / wrench. (See Photo # 2) **Note:** The upper set of mounting holes of the Skyjacker spare tire relocater bracket will raise the spare tire / wheel 1" higher than the OEM tailgate spare tire mount location (suggested for 35" & smaller tires) & the lower set of mounting holes will raise the spare tire / wheel 2" higher than the OEM tailgate spare tire mount location (suggested for 36" - 37" tires). (See Photo # 3)
4. Install the spare tire / wheel to the new Skyjacker spare tire relocater bracket using the previously removed wheel / lug nuts. (See Photo # 4) **Note:** Placing a larger tire / wheel on the rear of the vehicle may block the third brake light. It is your responsibility to ensure that the visibility of the third brake light remains unblocked.



## Part # TGSJK1 / Installation:

1. With the vehicle on flat level ground, set the emergency brake, & block the rear tires / wheels.
2. Disconnect the OEM rear bumper from the driver side frame (two bolts) & the two tabs on the back of the rear bumper connecting it to the rear cross member using a 16mm socket / wrench. (See Photo # 1) **Note:** Do not remove the OEM rear bumper, but allow it to carefully rest in place.
3. If equipped with an OEM center receiver hitch or tow hook, loosen the OEM bolts about a 1/2" using a 18mm socket / wrench. (See Photo # 2)
4. Install the new Skyjacker frame bracket (Part # JKSTS-1) to the frame using the supplied 1/2" x 4 1/2" coarse thread bolts, washers, & nuts using a 3/4" socket / wrench. Do not fully tighten at this time. (See Photo # 3) **Note:** If the vehicle is equipped with the OEM receiver hitch or tow hook, reuse the OEM 12mm bolts loosened in Step # 3 to install the new frame bracket (Part # JKSTS-1).
5. Connect the OEM rear bumper to the frame using the OEM hardware & a 16mm socket / wrench. (See Photo # 1)
6. Install the new Skyjacker bracket "A" (Part # JKSTS-2A) to the new Skyjacker frame bracket (Part # JKSTS-1) using the supplied 3/8" x 3/4" button head bolts, washers, nuts, a 7/32 hex key socket / wrench, & a 9/16" socket / wrench. (See Photo # 4) The end of the new bracket "A" (Part # JKSTS-2A) with two slots connects to the new frame bracket (Part # JKSTS-1) & the end of the new bracket "A" (Part # JKSTS-2A) with four slots should point toward the ground. Do not fully tighten at this time. **Note:** Depending on tire size & wheel backspacing, this new bracket "A" can be installed above or below the new frame bracket. (See Photos # 7, # 8, # 9, & # 10)
7. Install the supplied wear pad to the new Skyjacker bracket "B" (Part # JKSTS-2B). (See Photo # 5)



8. Install the new Skyjacker bracket "B" (Part # JKSTS-2B) to the new bracket "A" (Part # JKSTS-2A) using the supplied 3/8" x 3/4" button head bolts, washers, nuts, a 7/32 hex key socket / wrench, & a 9/16" socket / wrench. (See Photo # 6) Do not fully tighten at this time.

**Note:** Depending on tire size & wheel backspacing, this new bracket "B" can be installed above or below the new bracket "A". (See Photos # 7, # 8, # 9, & # 10)



Photo # 6

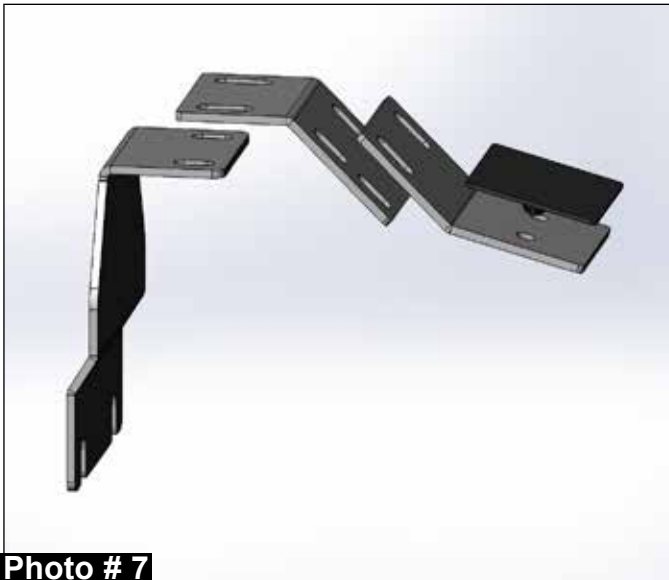


Photo # 7

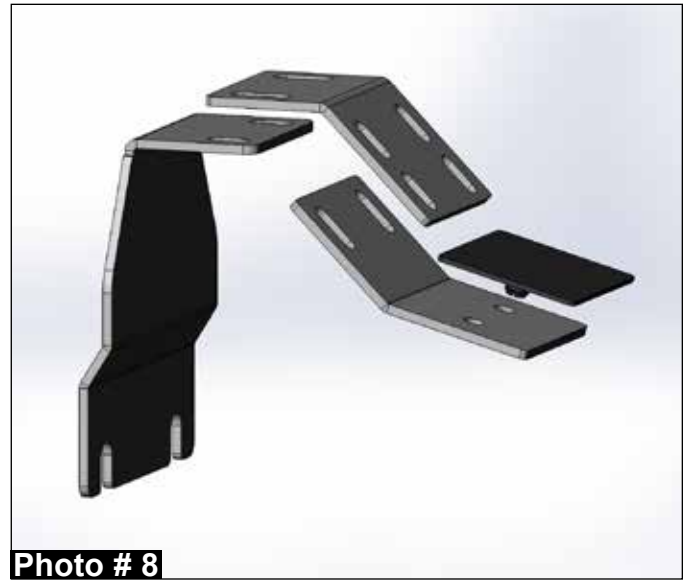


Photo # 8

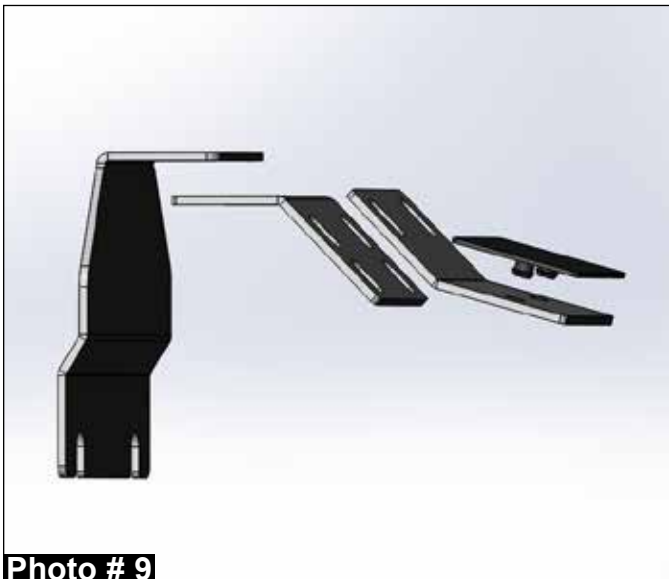


Photo # 9

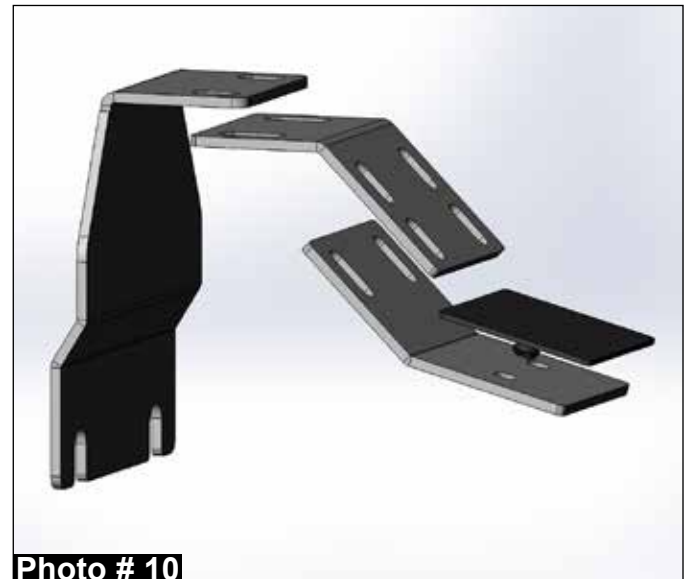
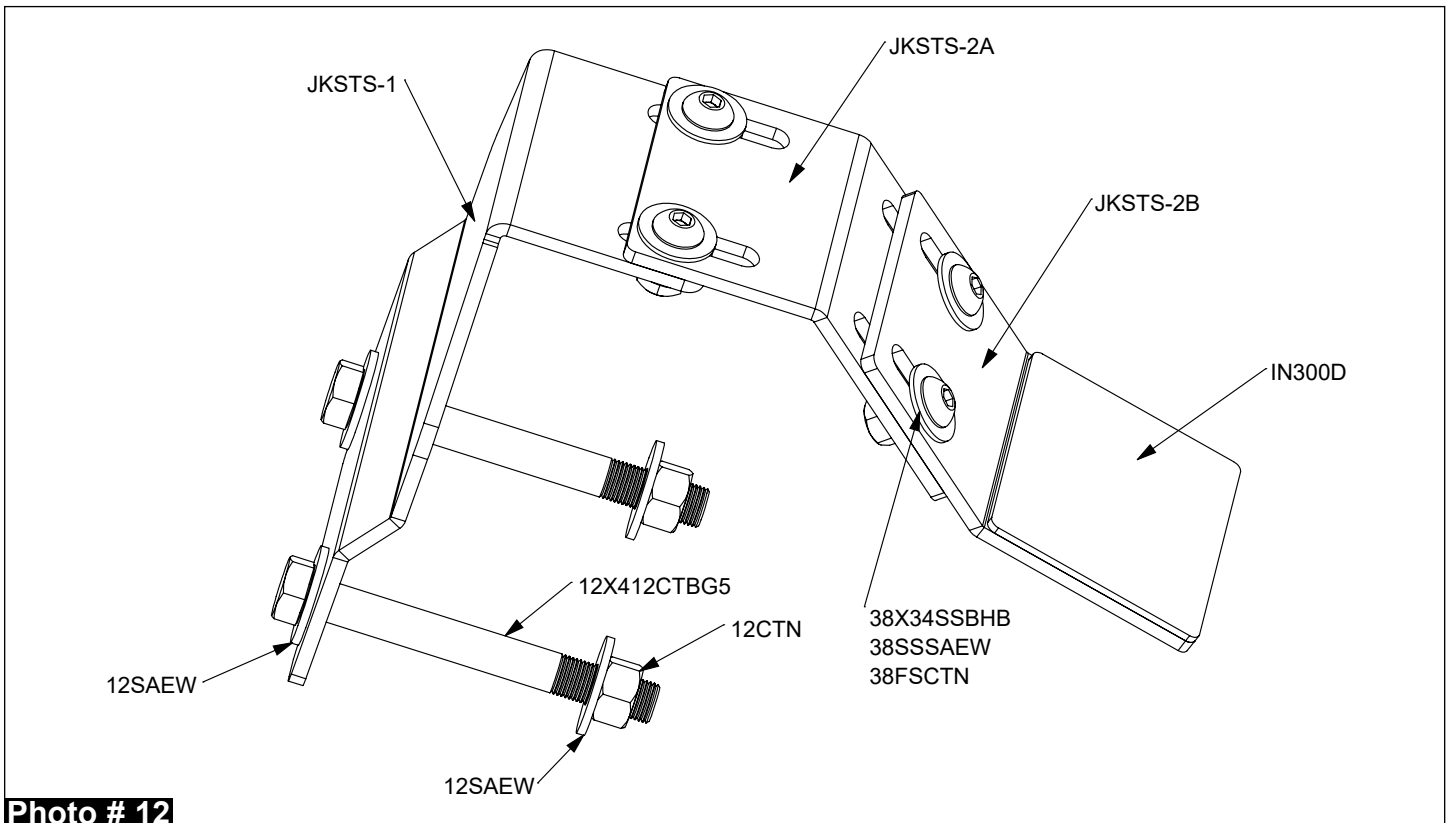


Photo # 10

9. Slowly rotate the OEM tailgate to the newly assembled tailgate support bracket until the tire makes contact with the wear pad on the new bracket "B" (Part # JKSTS-2B) just before completely closing. (See Photo # 11) **Note:** Adjust the slots & / or move the new brackets "A" (Part # JKSTS-2A) & "B" (Part # JKSTS-2B) above or below one another to achieve the proper fitment. (See Photos # 7, # 8, # 9, & # 10) Also, be sure the 3/8" bolts on the new frame bracket (Part # JKSTS-1) clear between the OEM tailgate & OEM bumper The new frame bracket (Part # JKSTS-1) can be adjusted slightly upward if needed.



10. Fully tighten all hardware of the new Skyjacker tailgate saver spare tire support bracket using a 7/32" hex key socket / wrench, 9/16" socket / wrench, & 3/4" socket / wrench. (See Photo # 12)



**Final Notes:**

- After the installation is complete, double check that all nuts & bolts are tight. Refer to the following chart for the proper torque specifications. (Do not retighten any nuts & bolts where thread lock compound was used.)
- After the first 100 miles, check all hardware for the proper torque & periodically thereafter.

## TORQUE SPECIFICATIONS

<u>INCH SYSTEM</u>			<u>METRIC SYSTEM</u>		
<b>Bolt Size</b>	<b>Grade 5</b>	<b>Grade 8</b>	<b>Bolt Size</b>	<b>Class 8.8</b>	<b>Class 10.9</b>
5/16	15 FT LB	20 FT LB	6MM	5 FT LB	9 FT LB
3/8	30 FT LB	35 FT LB	8MM	18 FT LB	23 FT LB
7/16	45 FT LB	60 FT LB	10MM	32 FT LB	45 FT LB
1/2	65 FT LB	90 FT LB	12MM	55 FT LB	75 FT LB
9/16	95 FT LB	130 FT LB	14MM	85 FT LB	120 FT LB
5/8	135 FT LB	175 FT LB	16MM	130 FT LB	165 FT LB
3/4	185 FT LB	280 FT LB	18MM	170 FT LB	240 FT LB

- The above specifications are not to be used when the bolt is being installed with a bushing.

**Seat Belts Save Lives, Please Wear Your Seat Belt.**