



www.skyjacker.com

Jeep Wrangler JL Spare Tire Relocator & Tailgate Saver Spare Tire Support Installation Instructions

REQUIRED TOOL LIST:

- Safety Glasses
- Metric & Standard Sockets / Wrenches
- Fastener Removal Tool
- T25 & T40 Torx Socket / Wrench
- 7/32" Hex Key Socket / Wrench
- Electrical Tape
- Torque Wrench



Part # STRJL18

**Part # TGSJL1
"Patent Pending"**

Before beginning the installation, thoroughly & completely read these instructions & the enclosed driver's WARNING NOTICE. Affix the WARNING decal in the passenger compartment in clear view of all occupants. Please refer to the Parts List to insure that all parts & hardware are received prior to the disassembly of the vehicle. If any parts are found to be missing, contact SKYJACKER[®] Customer Service at 318-388-0816 to obtain the needed items. If you have any questions or reservations about installing this product, contact SKYJACKER[®] Technical Assistance at 318-388-0816.

Important Notes:

- Part # TGSJL1 is designed to be used with the OEM tailgate spare tire mount & Skyjacker spare tire relocator (Part # STRJL18).
- Part # STRJL18 & TGSJL1 are designed to be used with 33" - 37" diameter tires & wheels with 4" - 5.5" backspacing.

Component Box Breakdown:

Part #: STRJL18

Item #	Description	Qty
STRJL-S	JL SPARE TIRE RELOC BRKT	2
HB-STRJL18	HDWR BAG: STRJL18	1

Item #	Description	Qty
I-TGSSTR2	INST SHEET: STRJL18 / TGSJL1	1

Hardware Breakdown:

Part # HB-STRJL18

Item #	Description	Qty
516X114FTB	5/16 X 1 1/4 FINE THREAD BOLT	8
516USSW	5/16 USS WASHER	16

Item #	Description	Qty
516FTN	5/16 FINE THREAD LOCK NUT	8

Component Box Breakdown:

Part #: TGSJL1

Item #	Description	Qty	Item #	Description	Qty
JLSTS-1	TAILGATE SAVER FRAME BRKT	1	HB-TGSJK1	HDWR BAG: TGSJK1	1
JLSTS-2A	TAILAGTE SAVER "A" BRACKET	1	I-TGSSTR2	INST SHEET: STRJL18 / TGSJL1	1
JLSTS-2B	TAILGATE SAVER "B" BRACKET	1			

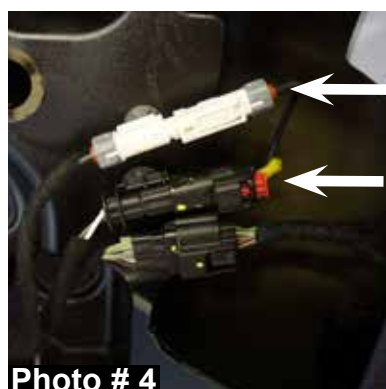
Hardware Breakdown:

Part # HB-TGSJK1

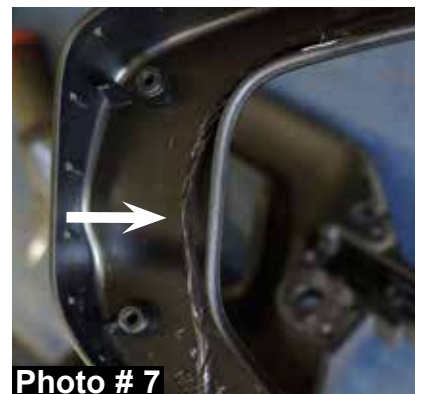
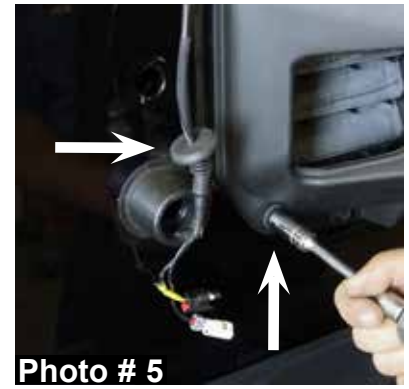
Item #	Description	Qty	Item #	Description	Qty
IN300D	WEAR PAD	1	12X412CTBG5	1/2 X 4 1/2 COARSE THRD BOLT	2
38X34SSBHB	3/8 X 3/4 SS BUT HEAD BOLT	4	12SAEW	1/2 SAE WASHER	4
38SSSAEW	3/8 STAINLESS SAE WASHER	4	12CTN	1/2 COARSE THREAD LOCK NUT	2
38FSCTN	3/8 FLG SERRATED CRSE NUT	4			

Part # STRJL18 / Installation:

1. With the vehicle on flat level ground, set the emergency brake, & block the rear tires / wheels.
2. Remove the OEM rear camera lock cover using a T40 torx socket / wrench. (See Photo # 1)
3. Remove the spare tire / wheel from the OEM spare tire / wheel carrier using the OEM anti-theft tool & 22mm socket. (See Photo # 2)
4. Remove the OEM inner plastic panel from the OEM rear tailgate using a fastener removal tool. (See Photo # 3)
5. Disconnect the OEM rear camera & third brake light wiring harnesses from the OEM rear tailgate. (See Photo # 4)



6. Disconnect the wiring harness grommet from the OEM rear tailgate & remove the OEM spare tire / wheel carrier using a 13mm socket. (See Photo # 5)
7. Disassemble the OEM third brake light assembly using a T25 torx socket / wrench. (See Photo # 6)
8. Reroute the OEM third brake light wire to the right hand side of the OEM mounting holes of the OEM third brake light assembly & secure using electrical tape. (See Photo # 7)
9. Assemble the OEM third brake light assembly using a T25 torx socket / wrench. (See Photo # 6)
10. Remove the four screws securing the OEM third brake light assembly to the OEM spare tire / wheel carrier using a T25 torx socket / wrench. (See Photo # 8)
11. Raise the OEM third brake light assembly in order to align the lower mounting holes of the OEM third brake light assembly with the upper mount holes of the OEM spare tire / wheel carrier & secure using the OEM hardware & a T25 torx socket / wrench. (See Photo # 9) **Note:** If desired, the remaining OEM hardware may be used to fill the upper OEM third brake light assembly mounting holes using a T25 torx socket / wrench. (See Photo # 10)



12. Install the new Skyjacker upper spare tire / wheel relocator bracket to the OEM tailgate with the angled ends pointing upward & the offset pointing outward using the OEM hardware & a 13mm socket / wrench. (See Photo # 11)

13. Install the new Skyjacker lower spare tire / wheel relocator bracket to the OEM tailgate with the straight edge pointing upward & the offset pointing outward using the OEM hardware & a 13mm socket / wrench. (See Photo # 11) **Note:** Do not fully tighten at this time.

14. Install the OEM spare tire / wheel carrier to the new Skyjacker spare tire / wheel relocator brackets using the supplied 5/16" x 1 1/4" bolts, washers, nuts, & a 1/2" socket / wrench. (See Photo # 12)

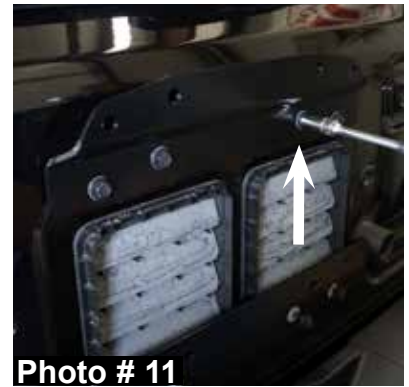
15. Tighten the new Skyjacker lower spare tire / wheel relocator bracket hardware using a 13mm socket / wrench.

16. Connect the OEM wiring harness grommet, rear camera, third brake light wiring harnesses to the OEM rear tailgate. (See Photos # 4 & # 5)

17. Install the OEM inner plastic panel to the OEM rear tailgate. (See Photo # 13)

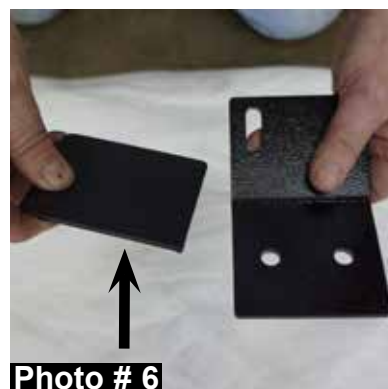
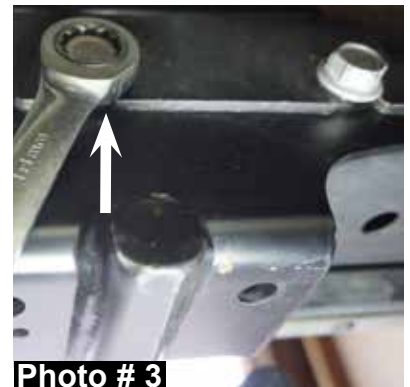
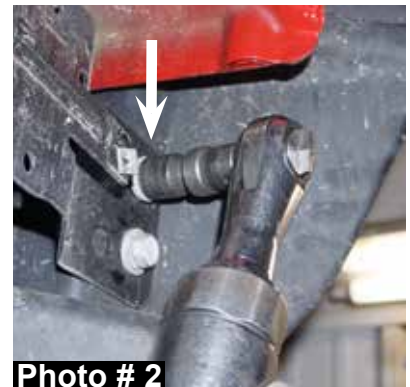
18. Install the spare tire / wheel to the OEM spare tire / wheel carrier using the OEM anti-theft tool & 22mm socket. (See Photo # 2)
Note: Placing too large of a tire / wheel on the rear of the vehicle may block the third brake light. It is your responsibility to ensure that the visibility of the third brake light remains unblocked.

19. Install the OEM rear camera lock cover using a T40 torx socket / wrench. (See Photo # 1)



Part # TGSJL1 / Installation:

1. With the vehicle on flat level ground, set the emergency brake, & block the rear tires / wheels.
2. Remove the OEM rear lower fender liners using a 8mm socket / wrench. (See Photo # 1)
3. Disconnect the OEM rear camera sensor harness & remove the OEM rear bumper using a 16mm socket / wrench. (See Photo # 2)
4. If equipped with an OEM receiver hitch, remove the two inside OEM bolts using a 18mm socket / wrench. (See Photo # 3)
5. Install the new Skyjacker frame bracket (Part # JLSTS-1) to the frame using the supplied 1/2" x 4 1/2" coarse thread bolts, washers, & nuts using a 3/4" socket / wrench. Do not fully tighten at this time. (See Photo # 4) **Note:** If the vehicle is equipped with the OEM receiver hitch, reuse the OEM 12mm bolts removed in Step # 4 to install the new frame bracket (Part # JLSTS-1).
6. Install the OEM rear bumper using a 16mm socket / wrench & connect the OEM rear camera sensor harness. (See Photo # 2)
7. Install the new Skyjacker bracket "A" (Part # JLSTS-2A) to the new Skyjacker frame bracket (Part # JLSTS-1) using the supplied 3/8" x 3/4" button head bolts, washers, nuts, a 7/32 hex key socket / wrench, & 9/16" socket / wrench. (See Photo # 5) The end of the new bracket "A" (Part # JLSTS-2A) with two slots connects to the new frame bracket (Part # JLSTS-1) & the end of the new bracket "A" (Part # JLSTS-2A) with four slots should point downward. Do not fully tighten at this time. **Note:** Depending on tire size & wheel backspacing, this new bracket "A" can be installed above or below the new frame bracket. (See Photos # 8, # 9, # 10, & # 11)
8. Install the supplied wear pad to the new Skyjacker bracket "B" (Part # JLSTS-2B). (See Photo # 6)



9. Install the new Skyjacker bracket "B" (Part # JLSTS-2B) to the new bracket "A" (Part # JLSTS-2A) using the supplied 3/8" x 3/4" button head bolts, washers, nuts, a 7/32 hex key socket / wrench, & 9/16" socket / wrench. (See Photo # 7) Do not fully tighten at this time.

Note: Depending on tire size & wheel backspacing, this new bracket "B" can be installed above or below the new bracket "A". (See Photos # 8, # 9, # 10, & # 11)

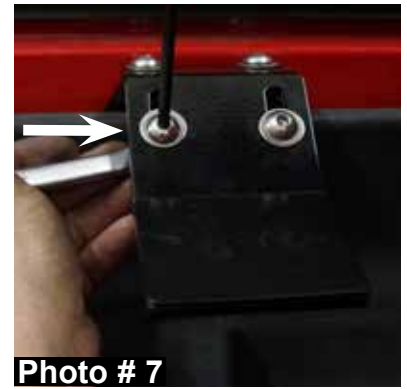


Photo # 7

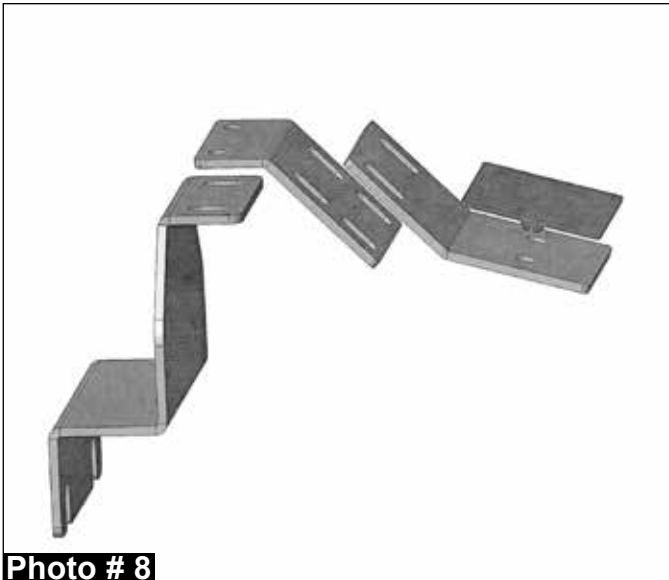


Photo # 8

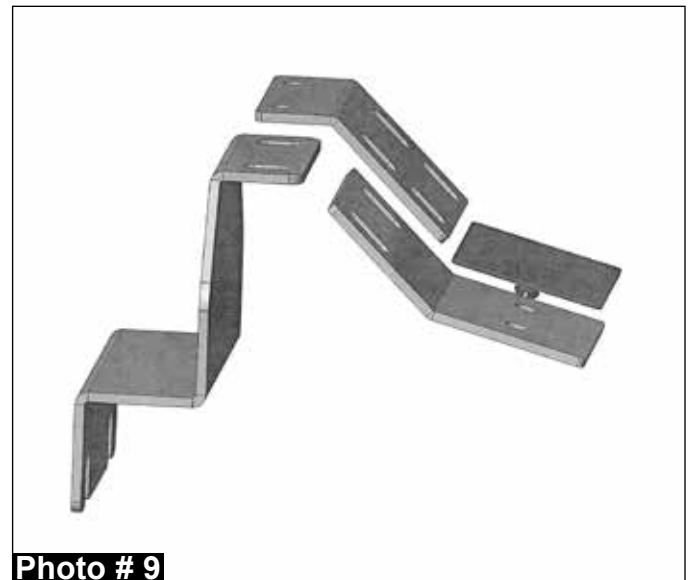


Photo # 9

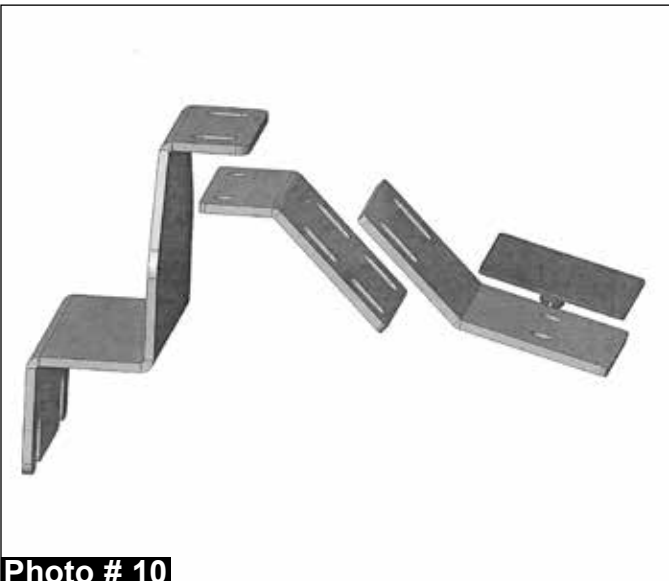


Photo # 10

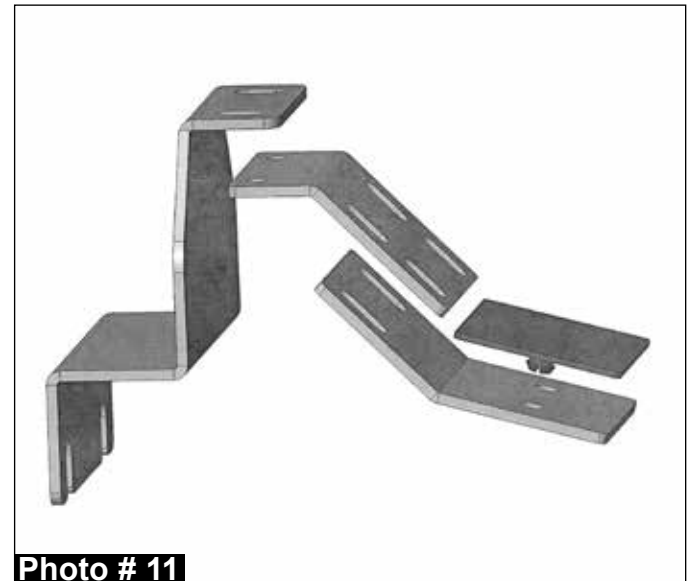
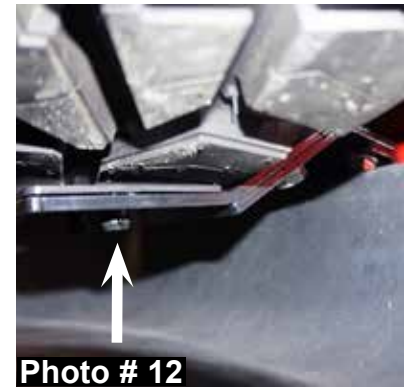
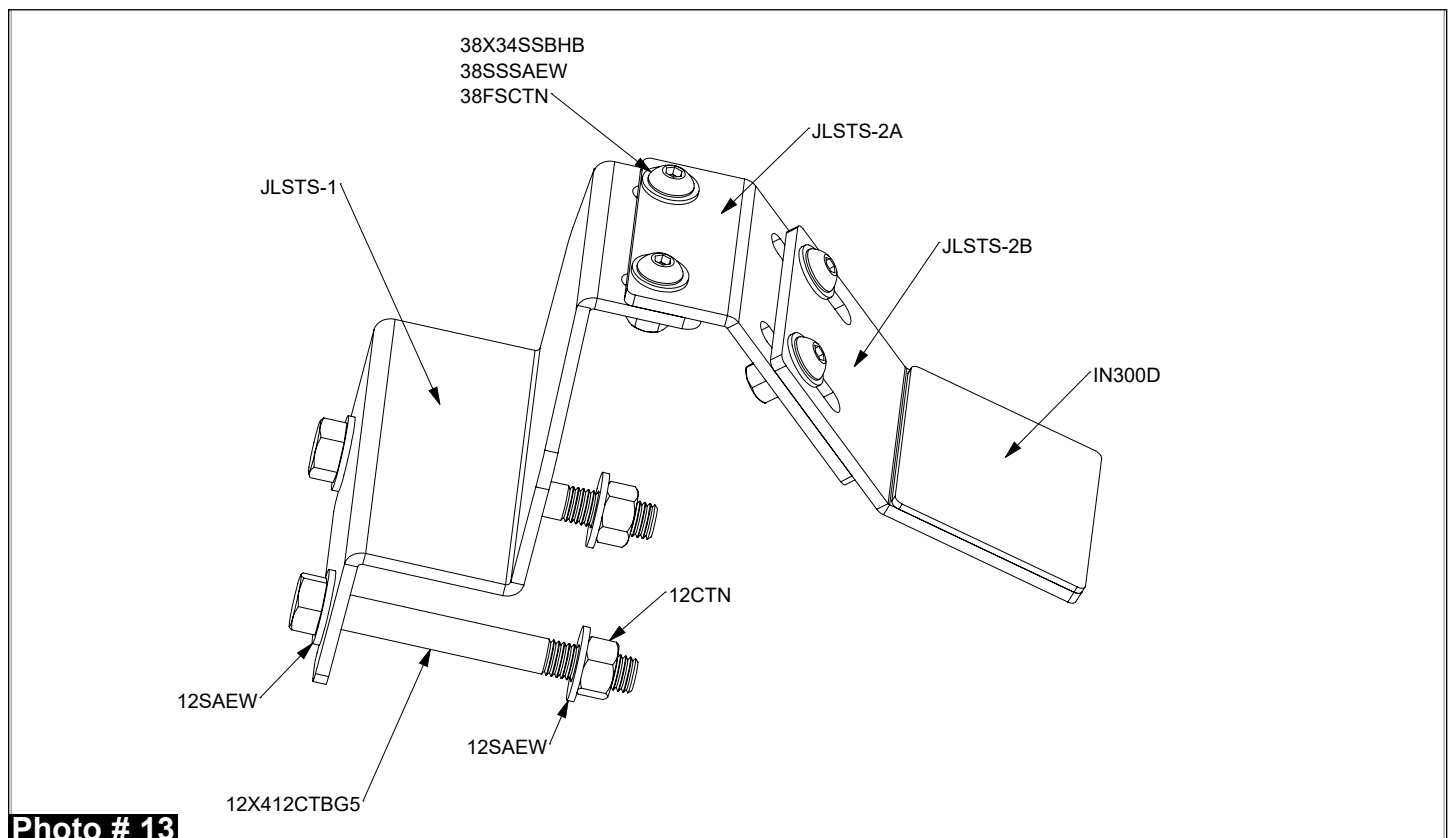


Photo # 11

10. Slowly rotate the OEM tailgate to the newly assembled Skyjacker tailgate saver support support bracket until the tire makes contact with the wear pad on the new bracket "B" (Part # JLSTS-2B) just before completely closing. (See Photo # 12) **Note:** Adjust the slots & / or move the new brackets "A" (Part # JLSTS-2A) & "B" (Part # JLSTS-2B) above or below one another to achieve the proper fitment. (See Photos # 8, # 9, # 10, & # 11) Also, be sure the 3/8" bolts on the new frame bracket (Part # JLSTS-1) clear between the OEM tailgate & OEM bumper The new frame bracket (Part # JLSTS-1) can be adjusted slightly upward if needed.



11. Fully tighten all hardware of the new Skyjacker tailgate saver spare tire support bracket using a 7/32" hex key socket / wrench, 9/16" socket / wrench, & 3/4" socket / wrench. (See Photo # 13)



Final Notes:

- After the installation is complete, double check that all nuts & bolts are tight. Refer to the following chart for the proper torque specifications. (Do not retighten any nuts & bolts where thread lock compound was used.)
- After the first 100 miles, check all hardware for the proper torque & periodically thereafter.

TORQUE SPECIFICATIONS

<u>INCH SYSTEM</u>			<u>METRIC SYSTEM</u>		
Bolt Size	Grade 5	Grade 8	Bolt Size	Class 8.8	Class 10.9
5/16	15 FT LB	20 FT LB	6MM	5 FT LB	9 FT LB
3/8	30 FT LB	35 FT LB	8MM	18 FT LB	23 FT LB
7/16	45 FT LB	60 FT LB	10MM	32 FT LB	45 FT LB
1/2	65 FT LB	90 FT LB	12MM	55 FT LB	75 FT LB
9/16	95 FT LB	130 FT LB	14MM	85 FT LB	120 FT LB
5/8	135 FT LB	175 FT LB	16MM	130 FT LB	165 FT LB
3/4	185 FT LB	280 FT LB	18MM	170 FT LB	240 FT LB

- The above specifications are not to be used when the bolt is being installed with a bushing.

Seat Belts Save Lives, Please Wear Your Seat Belt.